

Number	20-003180-PR02 (NW-E03-020310-en-01)
Owner	MOLL bauökologische Produkte GmbH Rheintalstr. 35-43 68723 Schwetzingen Germany
Product	Internal / external sealing system between window and building structure
Designation	Joint sealing tape CONTEGA® SOLIDO IQ-D
Details	Installation conditions Masonry perforated brick with stump and plastered reveal; window PVC-window, 1,230 mm x 1,480 mm with glass configuration $\underline{4} / 16 / \underline{4}$, centered in the reveal; fixing screws, lateral and at top, fixing distance ≤ 700 mm; lateral securing transverse spacer blockings; load transmission spacer blockings at bottom
Special features	External bottom corner design of joint sealing tape with glue ORCON F behind CONTEGA SOLIDO IQ-D.

Result

Valuation of joint-properties according to ift-guideline MO-01/1:2007-01 - section 5.4 (detail results on page 2)



Requirement: fulfilled

ift Rosenheim
17.12.2020



Thomas Stefan, Dipl.-Ing. (FH)
Head of Testing Department
Building Component Testing



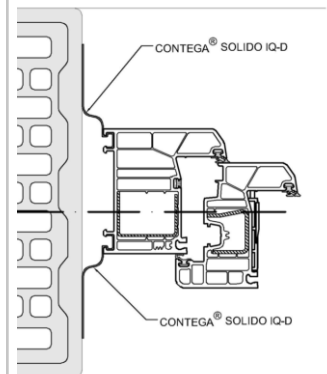
Thomas Krichbaumer
Operating Testing Officer
Building Component Testing

Basis

ift-Guideline MO-01/1 2007-01
(*) and corresponding national versions
e.g. DIN EN)

Test report: 20-003180-PR02 PB-
E03-020310-de-01

Representation



Instructions for use

The results obtained can be used as evidence in accordance with the above basis.

object:

Validity

There is no time limit.
When using this document the up-to-dateness of above basis and the conformity of the product have to be observed.

The data and results given relate solely to the tested and described specimen. This test does not allow any statement to be made on further characteristics of the present structure regarding performance and quality.

Notes on publication

The ift-Guidance Sheet "Conditions and Guidance for the Use of ift Test Documents" applies.

Identity-Check



www.ift-rosenheim.de/ift-geprueft
ID: 171-8E2ED

Summary of results

Assessment	Tested performance characteristics	Test results
ift-Guideline MO-01/1, section 5.4	Receiving inspection according to ift-Guideline MO-01/1:2007-01	Requirements fulfilled
	Watertightness in new condition following EN 1027:2016-03	No water penetration at up to 600 Pa
	Air permeability in new condition according to EN 12114:2000-03	$a < 0,1 \text{ m}^3/[\text{m}^*\text{h}*(\text{daPa})^{2/3}]$
	Thermal cycling according to ift-Guideline MO-01/1:2007-01	Requirements fulfilled
	Mechanical durability following EN 1191:2000-02	Requirements fulfilled
	Resistance to wind load - alternating positive and negative pressures following EN 12211:2016-03	Requirements fulfilled
	Air permeability after load tests according to EN 12114:2000-03	$a < 0,1 \text{ m}^3/[\text{m}^*\text{h}*(\text{daPa})^{2/3}]$
	Watertightness after load tests following EN 1027:2016-03	No water penetration at up to 600 Pa
	Dismantling and inspection according to ift-Guideline MO-01/1:2007-01	Requirements fulfilled

The test specimen fulfils the requirements of ift-Guideline MO-01-1:2007-01, section 5.4 within the scope:

- **Internal and external**